

Код конфигурации (P3.31-P3.22)

PWR_FN - Включение питания на фискальный накопитель, VCC33 - общее питание цифровой схемы.

Фискальный накопитель

D

D

C

C

B

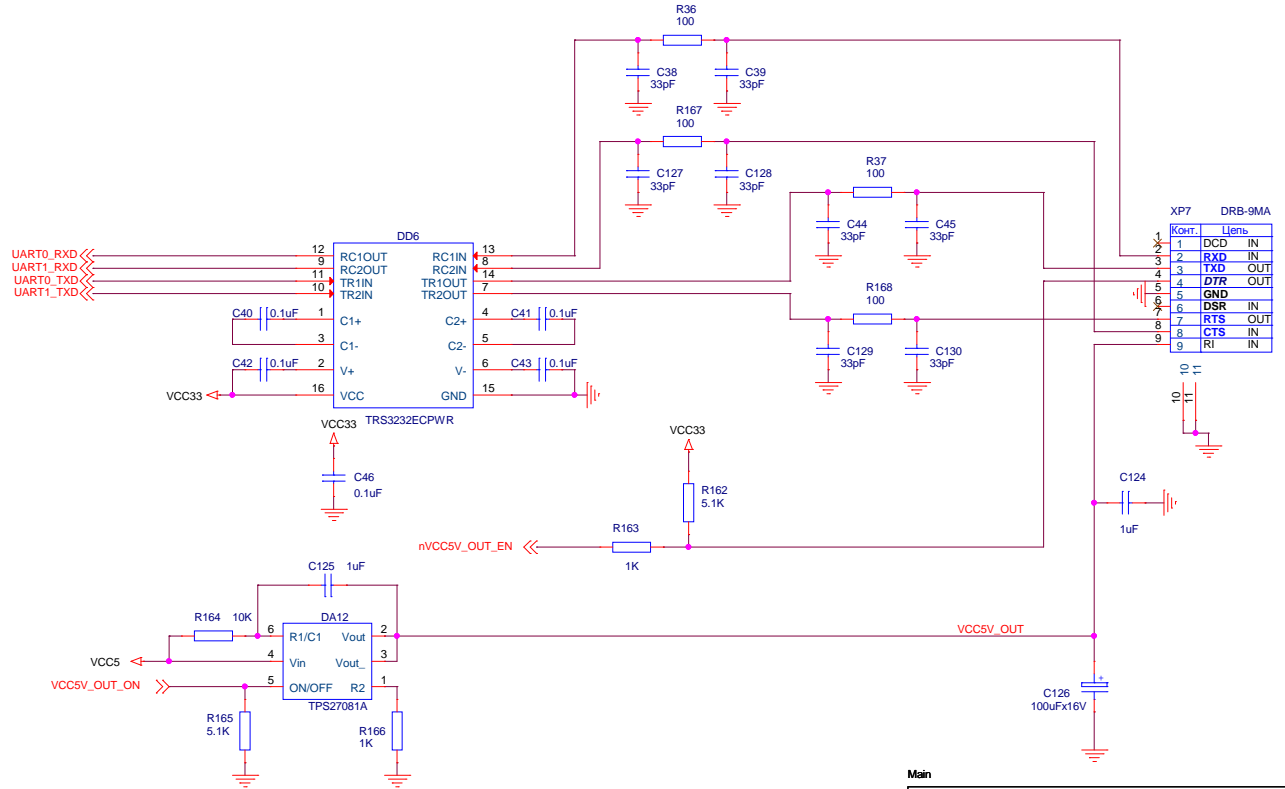
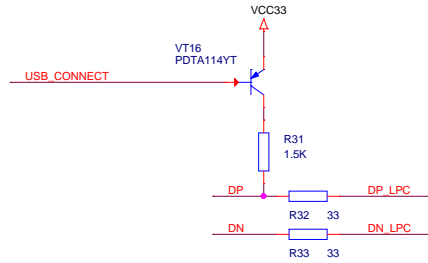
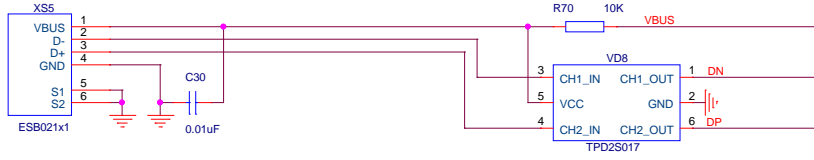
B

A

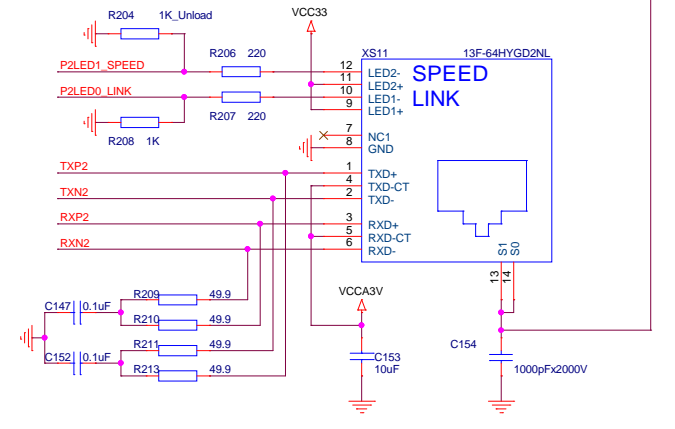
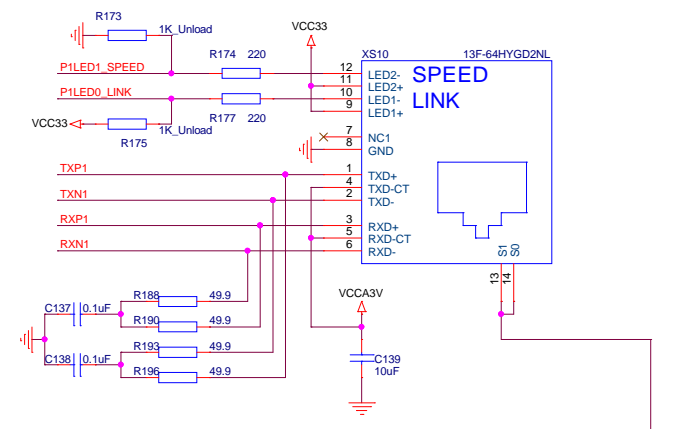
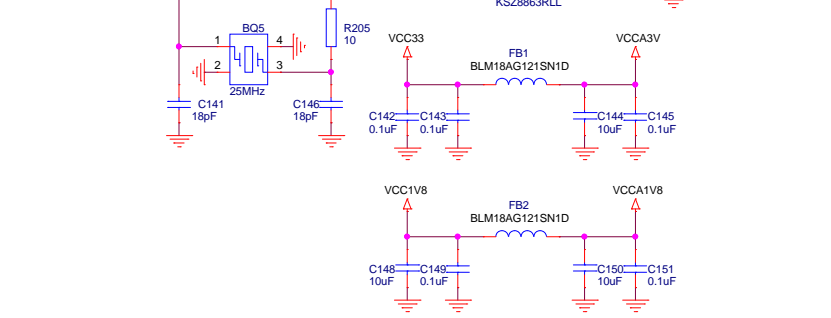
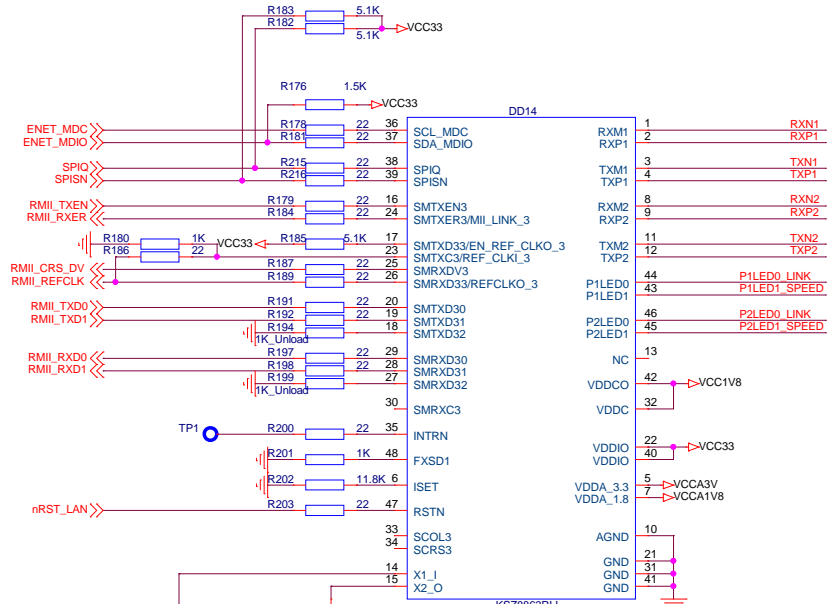
A

File	CPU
Doc Number	SME12038.30.01
Date	Friday, February 03, 2017
Sheet	1 of 7

- 1 DP_LPC
- 1 DN_LPC
- 1 USB_CONNECT
- 1 VBUS



Main		
Title		
INTERFACE		
Size	Document Number	Rev
A3	SME12036.30.01	2
Date:	Friday, February 03, 2017	Sheet 2 of 7

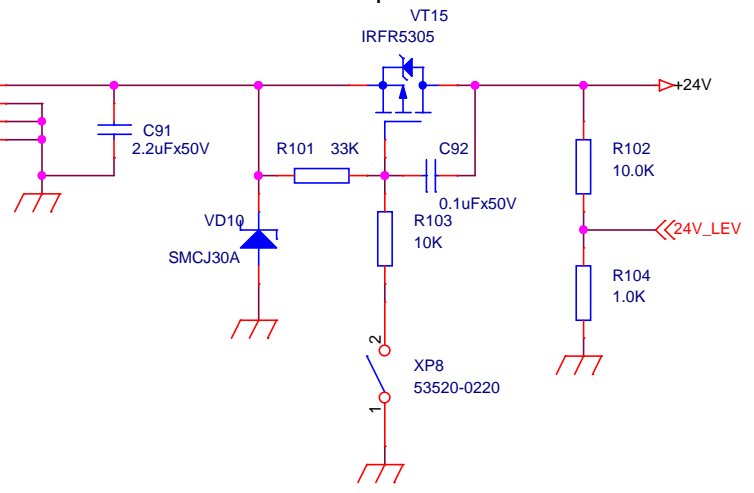


Main		
Title	<Title>	
Size	Document Number	Rev
A3	<Doc>	<RevCode>
Date:	Friday, February 03, 2017	Sheet 3 of 7

5 4 3 2 1

Цепь	Кошт.
Uin	1
GNDP	2
	3
	4

TCS7960-53-2010



Конт.	Цепь
1	

Do Not Stuff

Конт.	Цепь
1	

Do Not Stuff

Конт.	Цепь
1	

Do Not Stuff

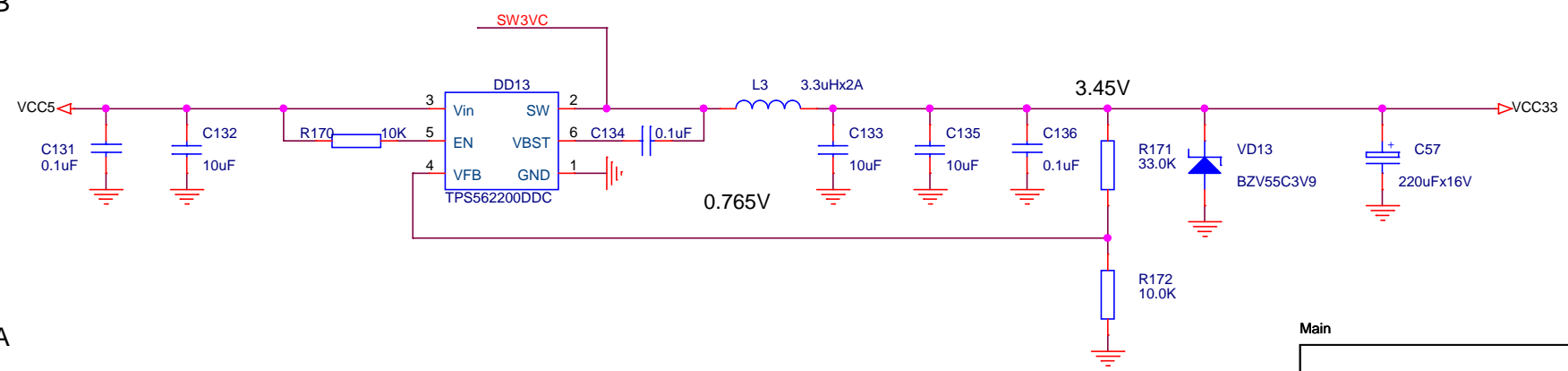
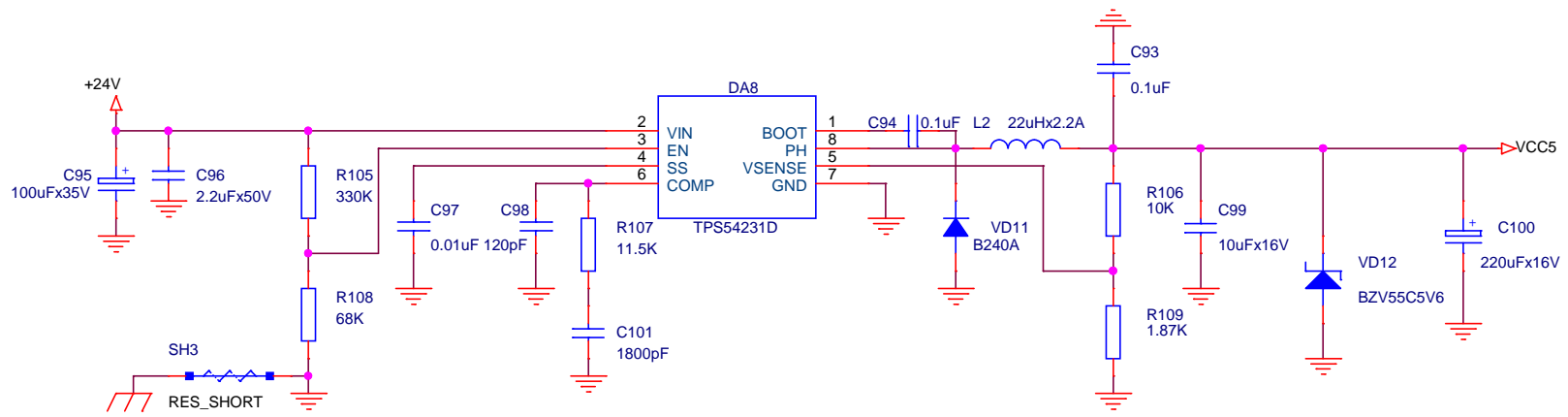
Конт.	Цепь
1	

Do Not Stuff

Конт.	Цепь
1	

Do Not Stuff

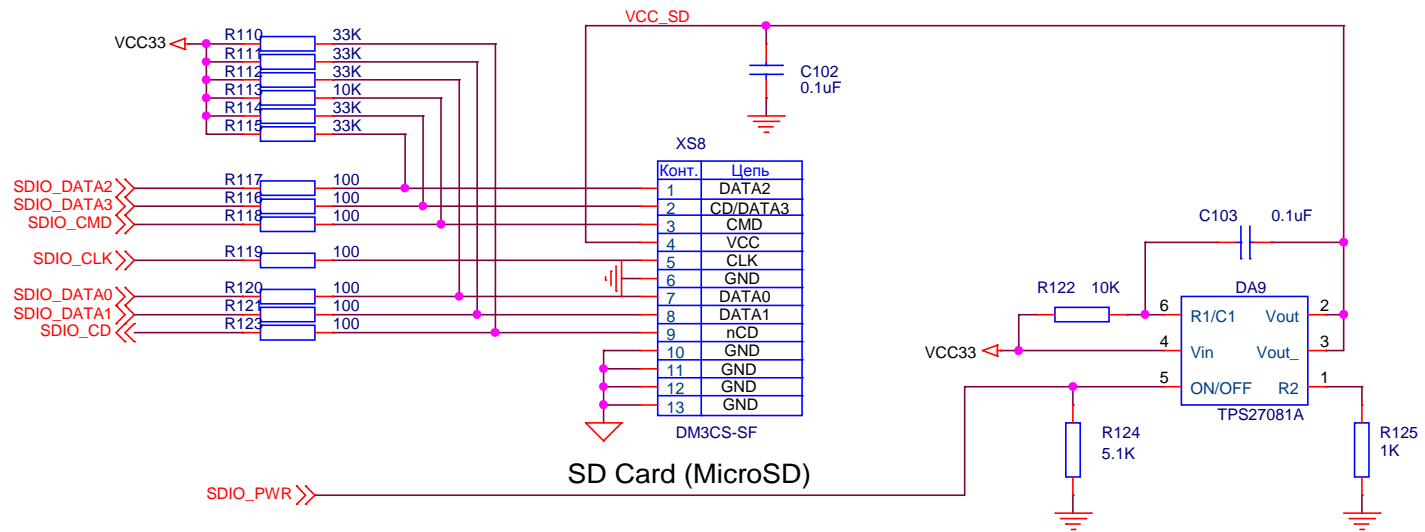
MOUNT HOLES



Main		
Title		
POWER SUPPLY		
Size	Document Number	Rev
A4	SME12036.30.01	2
Date:	Friday, February 03, 2017	Sheet 4 of 7

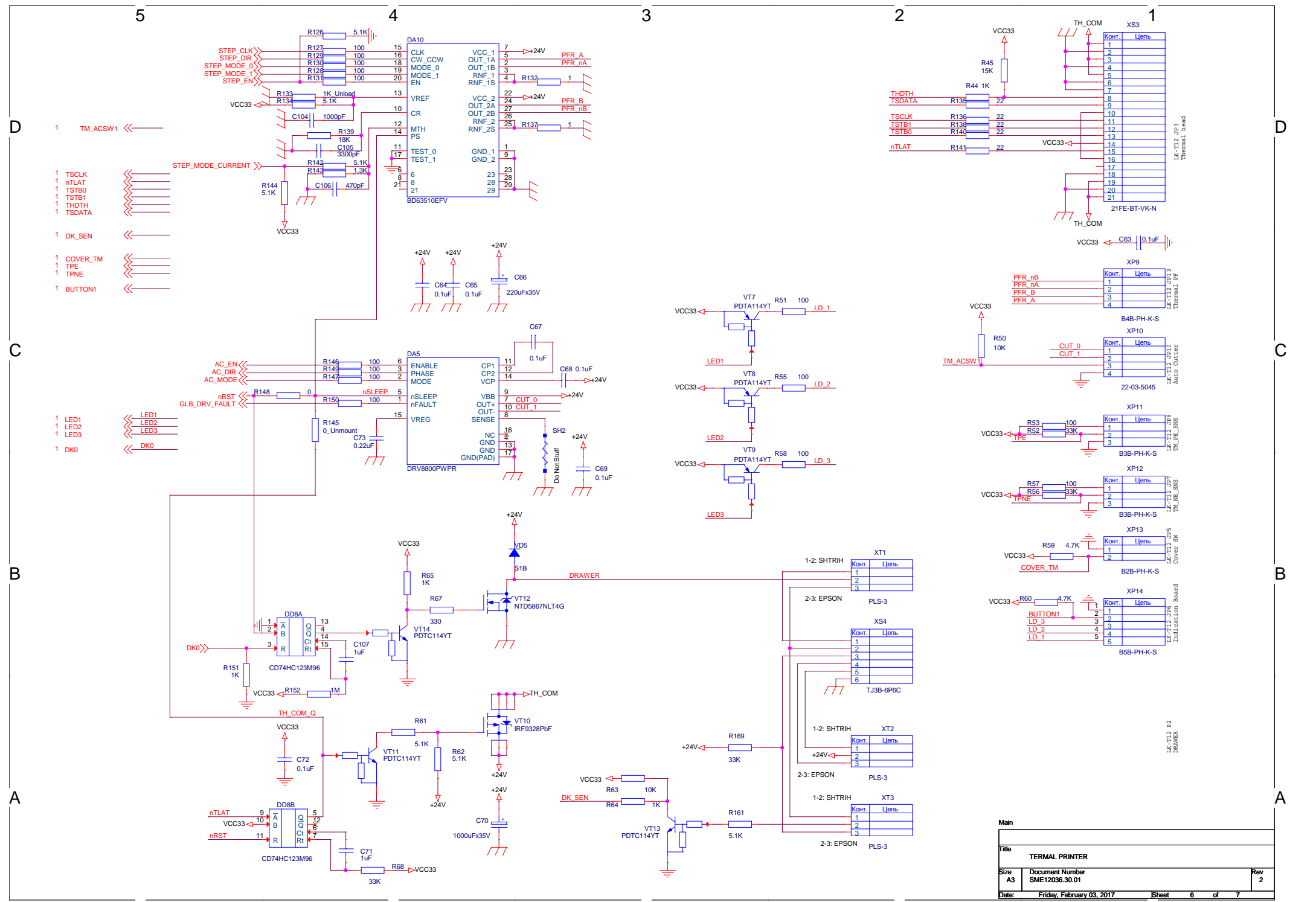
D
C
B
A

D
C
B
A

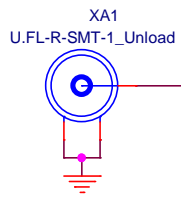


Main

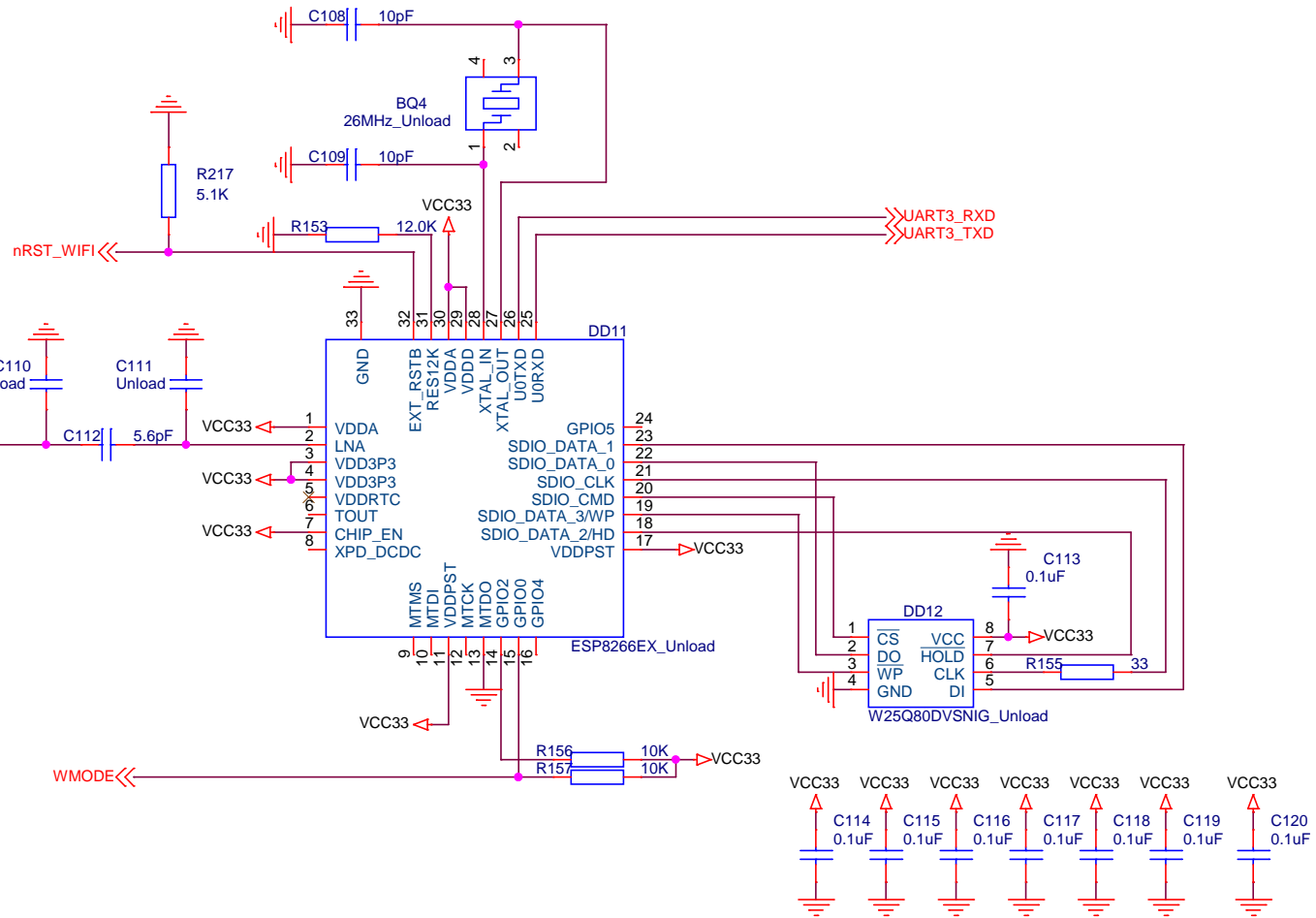
Title		
<Title>		
Size	Document Number	Rev
A4	<Doc>	<RevCode>
Date:	Friday, February 03, 2017	Sheet 5 of 7



Main		
Title		
TERMAL PRINTER		
Size	Document Number	Rev
A3	SME12036.30.01	2
Date:	Friday, February 03, 2017	Sheet 6 of 7



Все линии здесь покороче, внутр слои убрать.



Main

Title		
<Title>		
Size	Document Number	Rev
A4	<Doc>	<RevCode>
Date:	Friday, February 03, 2017	Sheet 7 of 7